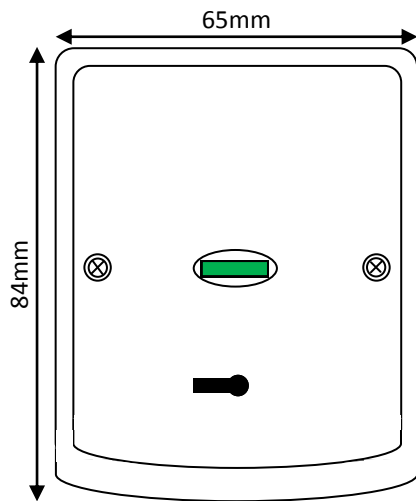
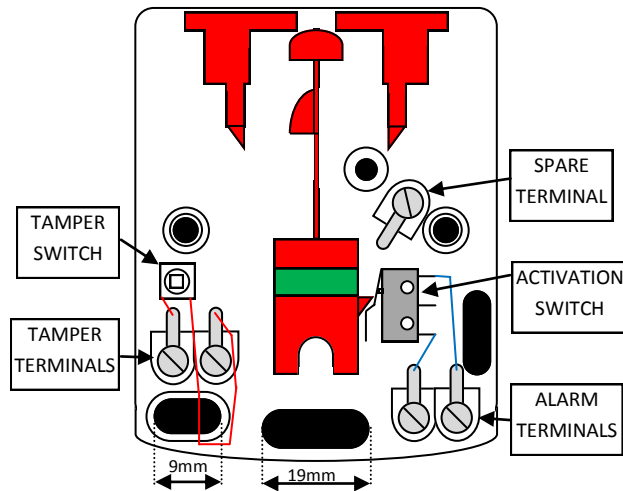


LID



INTERNAL



DESCRIPTION

Double End Push Panic Button
 Grade 3—Environmental Class II
 Normally Closed—Circuit broken on activation

VARIANTS

PA2EW— White ABS
 PA2ES— Black ABS, Stainless Steel Fascia

ACTIVATION

Latching
 1x N/C Microswitch (ALARM)
 1x Tactile switch (TAMPER)
 1x Back tamper wire loop
 Reset key provided

KNOCKOUTS

4 (1 END, 1 BACK, 2 SIDE)

OVERALL DIMENSIONS

84mm X 65mm X 26mm

TEMPERATURE RANGE

-40 to +50 degrees Celsius

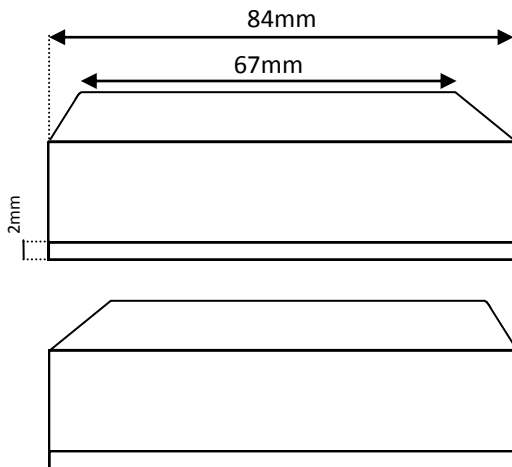
STANDARDS MET

EN50131-2-6:2008

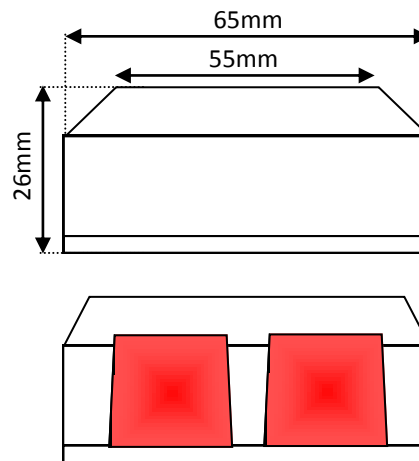
ELECTRICALLY RATED AS FOLLOWS

Max 15 Volts DC
 Max current 500mA

SFD-S



SFD-S



KNIGHT
 FIRE & SECURITY

Unit 84 Seawall Road Ind. Estate
 Cardiff UK CF24 5TH
 Tel: +44 (0) 2920 488 129
 Fax: +44(0) 2920 489 132

Drawing #: PA2E
 Drawn: Gareth Carpenter
 Date: 06/05/2016
 Revision: 1

All dimensions in mm
 Do not scale



© Knight Fire & Security Products Ltd
 All cases of infringement will be pursued.