

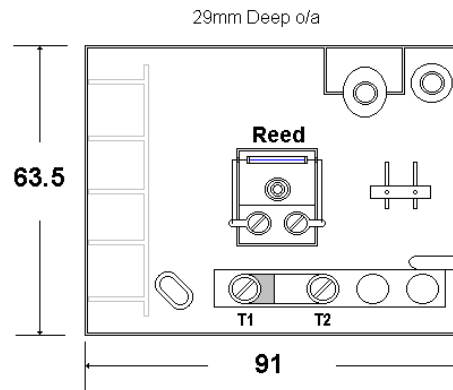
Fig. 1- KP1 Series Panic Button



Fig. 2 - KP2 Series Panic Button



Fig. 3 - KP3 Series Panic Button



	Model		
	KP1	KP2	KP3
Grade 1 Class II	●	●	●
Reed NO/NC	●	●	-
Latch	●	-	●
Non Latch	-	●	-
Metal Key	●	-	●
Spare Keys to order	●	-	●
Micro-Switch CIO	-	-	●
Plastic	●	●	●
St/Steel (S)	●	●	●
Brass (B)	●	●	●
Knockouts End	1	1	1
Knockouts Back	-	-	-
Knockouts Side	-	-	-

Dimension	Length	Width	Height
	91	63.5	29mm

Options

Smooth Buttons	●	●	●
Ridged Buttons	●	●	●

Description:
Grade 1 Class II
Single End Push Panic Button

Materials:
ABS / Acetal

Temperature Range:
-40°C to +50°C

Tamper:
Stainless Steel
Metal Key Provided inside

Switching Current
500mA Max DC
500mA Max AC

Contact Material:
Rhodium

Indicator:
Flag Type

Voltage Range:
1 – 100v DC
125v AC Max

Colours:
Plastic - White (No Suffix)
Plastic - Black (Suffix B)

Finishes:
Plastic, Brass (B), Stainless Steel (S)

KNIGHT

FIRE & SECURITY PRODUCTS LTD
<mailto:info@knightfireandsecurity.com>

Unit 84 Seawall Road Ind. Estate
Cardiff UK CF24 5TH

Tel: 0 (00 44) 29 20 48 81 29

Fax: 0 (00 44) 29 20 48 91 32

Drawing No: **KP1-3 Series
Panic Button**

Drawn: Chris Moorman

Date: 05/09/09

All dimensions in mm
Do not scale



© Knight Fire & Security Products Ltd
All cases of TM Infringement will be pursued.