



KNIGHT FIRE & SECURITY PRODUCTS LTD
 Unit 84, Seawall Road Industrial Estate
 Tremorfa, Cardiff CF24 5TH
 Tel: 029 2048 8129
 Fax: 029 2048 9132

<mailto:info@knightfireandsecurity.com>

Grade 3 KP10 Series

Description

The KP10 is a latching surface mount Double Push Panic Button with Microswitch. It features selectable wiring formats and an integral tamper switch for traditional or fully supervised (EOL) formats and benefits from installer selection of End of Line and Alarm contact bypass resistors. It operates with an applied force of between 4 – 5N.

Installation

Fix the base to the mounting surface. Ensure the tamper switch & spring remains clear from obstruction when fitting cover.

Operational Wiring

Traditional (4 Wire) – Ensure no jumpers are fitted. Use all four terminals as marked.

Supervised (EOL) – Fit the appropriate jumpers for the control panel (See Table). Connect the loop wires to the outer terminals 1 & 4, marked • - illustrated by two arrows

Other – Some applications may not require both resistors. In these cases fit jumper(s) in EOL or Alarm position as appropriate. If just Alarm, connect to the terminal block connections 1 & 2. If only EOL connect to 3 & 4

Series – Units may be wired in series, (Pair), to be protected by tamper, for an EOL Loop. It is not recommended to exceed the number of two units wired in series.

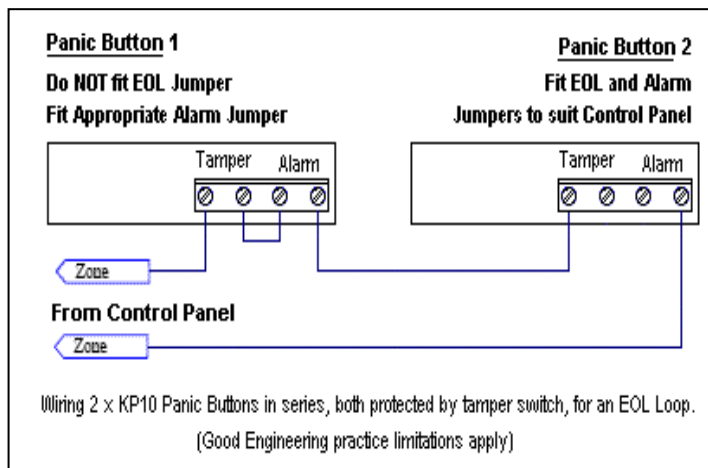
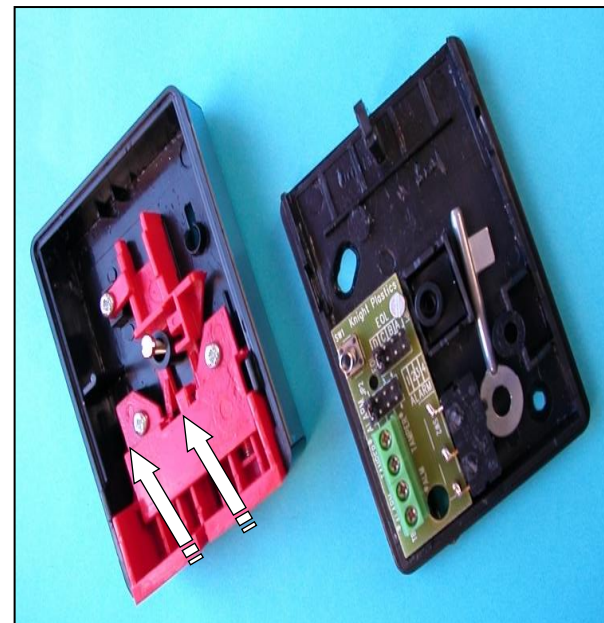


Panic Button KP10-Series

Security Grade 3 Environmental Class 2

Manufactured to EN50131

This product is suitable for use in systems designed to comply with PD6662, EN50131 and BS4737-3.14



Control Panel	Alarm Value	EOL Value	Terminal Diagram	Terminal Legend
Honeywell Ademco	1K1	1K1		
Scantronic, Menvier, Texecom, Pyronix Castle	4K7	2K2		
Aritech	4K7	4K7		
DSC	5K6	5K6		
Gardtec	6K8	4K7		
Guardall	8K2	8K2		

Where Req'd Fit Jumpers in Shaded Positions