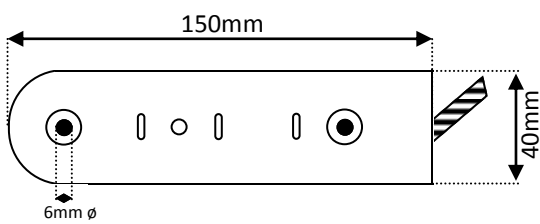
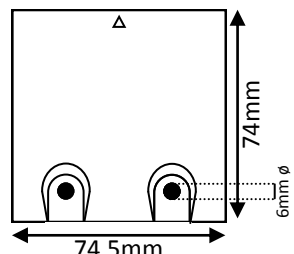
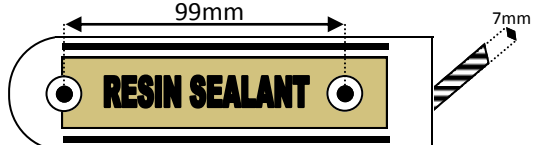
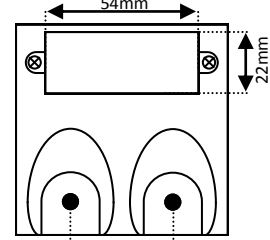
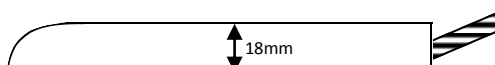
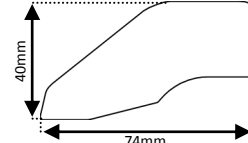
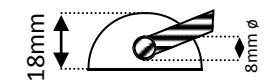





|                        |   |                       |  |   |
|------------------------|---|-----------------------|--|---|
| <p><b>TOP</b></p>      | <p style="text-align: center;"><b>CONTACT</b></p>  | <p><b>TOP</b></p>     | <p style="text-align: center;"><b>MAGNET</b></p>  | <p><b>DESCRIPTION</b></p> <p>Grade 3, Class III R/S contact 8 core armoured cable prefitted. 1m length, integral resistors. Single reed, normally closed. (Complete circuit when magnet present).</p>               |
| <p><b>BOTTOM</b></p>   |    | <p><b>BOTTOM</b></p>  |   | <p><b>VARIANTS</b></p> <p>None.</p> <p><b>ACTIVATION</b></p> <p>Reed switch, ~50mm operating gap.</p> <p>Magnetic tamper reed switches.</p>   |
| <p><b>LATERAL</b></p>  |    | <p><b>LATERAL</b></p> |   | <p><b>WIRING</b></p> <p>Resistors must be used in circuit - no 4-wire option. Core selection defines resistors used.</p> <p>EOL Resistors: 1k, 2k2, 4k1, 4k7, 5k6.<br/>Alarm Resistors: 1k, 2k2, 4k1, 5k6, 6k8.</p> |
| <p><b>REAR END</b></p> |    | <p><b>LATERAL</b></p> |    | <p><b>MATERIALS</b></p> <p>Anodised AA15 aluminium casting.<br/>Ferrite/Alnico V magnet.<br/>Rhodium reed.<br/>Stainless steel armour sleeving.</p>   |
| <p><b>PHOTO</b></p>    |   | <p><b>LATERAL</b></p> |    | <p><b>TEMPERATURE RANGE</b></p> <p>-40 to +50 degrees Celsius.</p> <p><b>ELECTRICALLY RATED AS FOLLOWS</b></p> <p>500mA Max DC.<br/>500mA Max AC.</p> <p>1 – 100v DC.<br/>125v AC Max.</p>                          |



**KNIGHT**  
FIRE & SECURITY

Unit 84 Seawall Road Ind. Estate  
Cardiff UK CF24 5TH  
Tel: +44 (0) 2920 488 129  
Fax: +44(0) 2920 489 132

**Drawing #:** YF10C  
**Drawn:** Gareth Carpenter  
**Date:** 01/09/2017  
**Revision:** 1

All dimensions in mm  
Do not scale



© Knight Fire & Security Products Ltd  
All cases of infringement will be pursued.