

Flush potted Double Reed Contact with metal plates

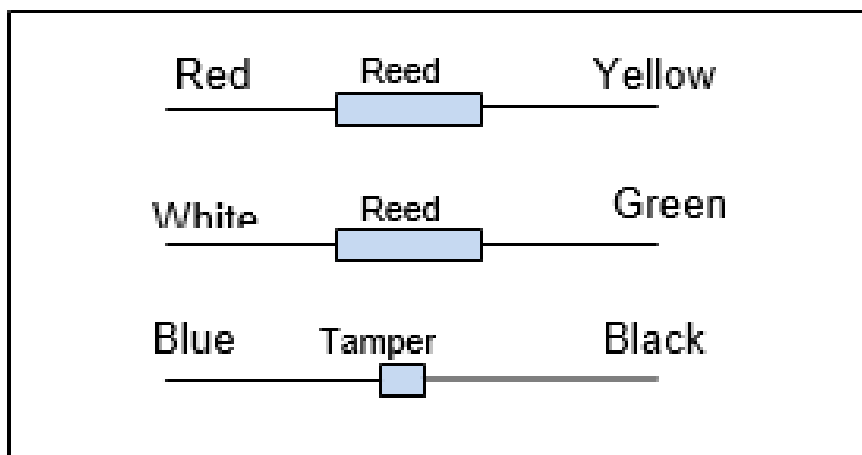
Part Code: PDA90



Security Grade 2 Environmental Class 3

Manufactured to BS EN50131-2-6

Please wire as per the diagram below.
Black and Blue wires are the tamper loop.
The operating gap is approx. 30mm



KNIGHT FIRE & SECURITY PRODUCTS LTD

Unit 84, Seawall Road Industrial Estate

Tremorfa, Cardiff CF25 5TH

Tel: 029 2048 8129

Fax: 029 2048 9132

www.knightfireandsecurity.com

