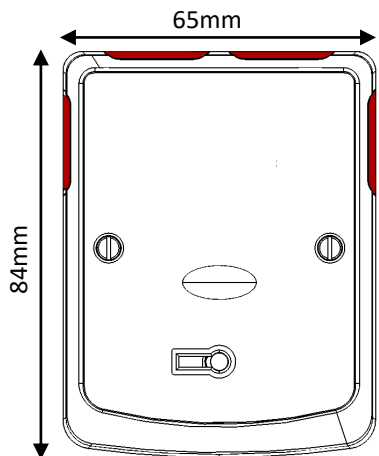
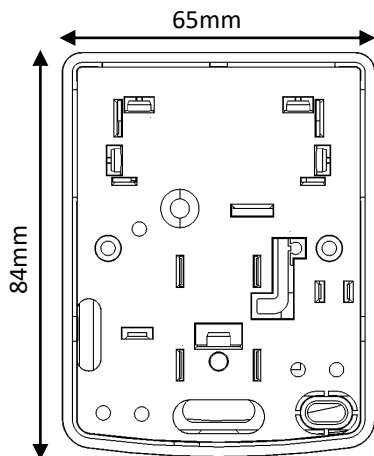


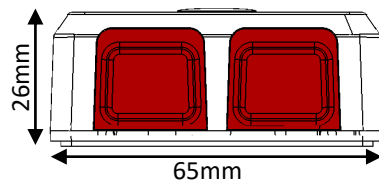
# FRONT



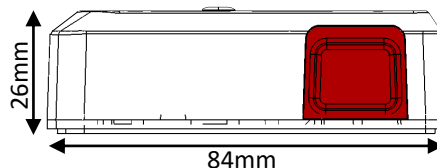
# BACK



# END



# SIDE



## DESCRIPTION

Confirmable 4 Button PA  
Grade 3—Environmental Class II  
Normally Closed

## VARIANTS

PA4W— White ABS  
PA4S— Black ABS, Stainless Steel Fascia

## ACTIVATION

Latch Selectable  
4x Microswitch (ALARM)  
1x Tactile switch (TAMPER)  
1x Back tamper PCB snapoff  
Reset key provided

## KNOCKOUTS

4 (1 END, 1 BACK, 2 SIDE)

## OVERALL DIMENSIONS

84mm X 65mm X 26mm

## TEMPERATURE RANGE

-40 to +50 degrees Celsius

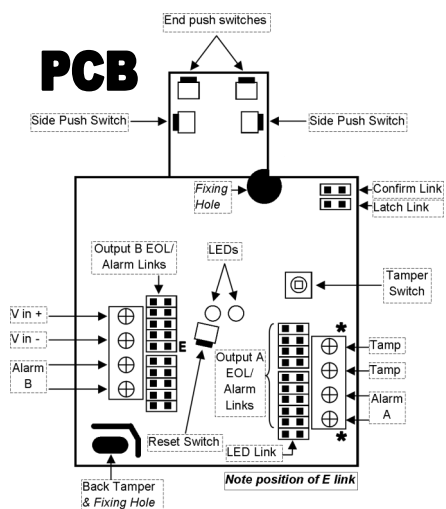
## STANDARDS MET

EN50131-2-6:2008  
PD6662:2017

## POWER INPUT

12V DC Nominal

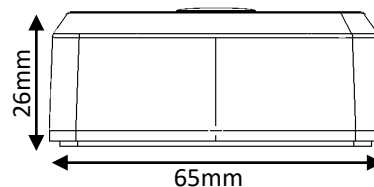
## PCB



# IMAGE



# END



PCB LINK LABELS	
OUTPUT B	OUTPUT A
■ A	■ A
■ B	■ B
■ C	■ C
■ D	■ D
■ E	■ 1
■ 1	■ 2
■ 2	■ 3
■ 3	■ 4
■ 4	■ 5
■ 5	■ 6
■ 6	■ LED



**KNIGHT**  
FIRE & SECURITY

Unit 84 Seawall Road Ind. Estate  
Cardiff UK CF24 5TH  
Tel: +44 (0) 2920 488 129  
Fax: +44(0) 2920 489 132

Drawing #: PA4  
Drawn: Gareth Carpenter  
Date: 01/02/2020  
Revision: 1

All dimensions in mm  
Do not scale



© Knight Fire & Security Products Ltd  
All cases of infringement will be pursued.