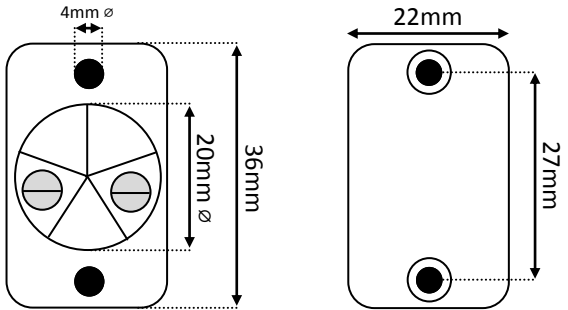
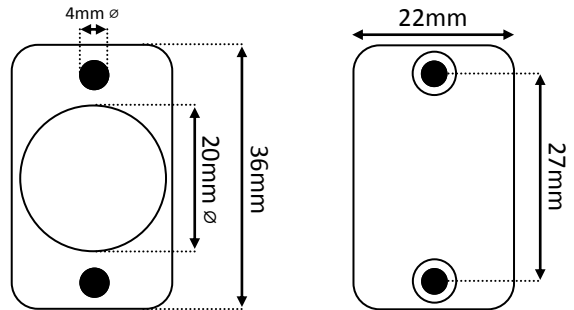
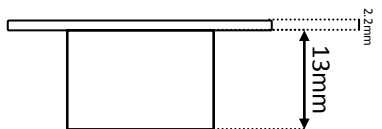
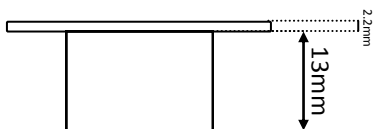
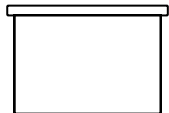





<p>FRONT/ BACK</p>	<p style="text-align: center;">CONTACT</p> 	<p style="text-align: center;">MAGNET</p> 	<p>DESCRIPTION Grade 1, Class II 2 terminal flush contact. Rectangular plate. Single reed, normally closed. <i>(complete circuit when magnet present).</i></p> <p>VARIANTS A10B—2T flush contact, rect. plate, brown.</p> <p>ACTIVATION Reed switch, ~14mm operating gap.</p> <p>WIRING Nickel Reed switch</p> <p>MATERIALS Plastic casing. Ferrite/Alnico V magnet. Rhodium reed.</p> <p>TEMPERATURE RANGE -40 to +50 degrees Celsius.</p> <p>ELECTRICALLY RATED AS FOLLOWS 500mA Max DC. 500mA Max AC.</p> <p>1 – 100v DC. 125v AC Max.</p>
<p>SIDE</p>			
<p>END</p>			
<p>PHOTO</p>			



KNIGHT
FIRE & SECURITY

Unit 84 Seawall Road Ind. Estate
Cardiff UK CF24 5TH
Tel: +44 (0) 2920 488 129
Fax: +44(0) 2920 489 132

Drawing #: A10
Drawn: Gareth Carpenter
Date: 01/03/2018
Revision: 1

All dimensions in mm
Do not scale



© Knight Fire & Security Products Ltd
All cases of infringement will be pursued.