

**KNIGHT**  
FIRE & SECURITY

Unit 84 Seawall Road Ind. Estate  
Cardiff UK CF24 5TH  
Tel: +44 (0) 2920 488 129  
Fax: +44(0) 2920 489 132

**Drawing #:** BCPO\*  
**Drawn:** Gareth Carpenter  
**Date:** 01/03/2022  
**Revision:** 1

All dimensions in mm  
Do not scale



© Knight Fire & Security Products Ltd  
All cases of infringement will be pursued.

**NOTES REGARDING PART CODES:**

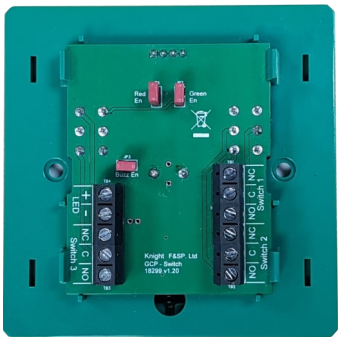
The BCP0 can be produced to various specifications. Use the below table as a guide on how the part code will affect the end product:

**EXAMPLES:**

BCP03-G: Triple pole surface call point in green  
 BCP01-W: Single pole surface call point in white



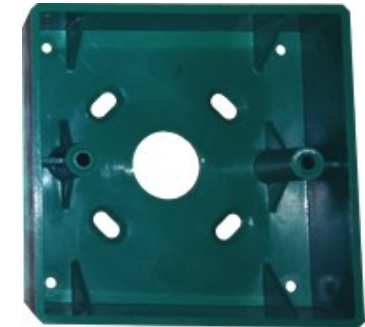
**CALL POINT FRONT**



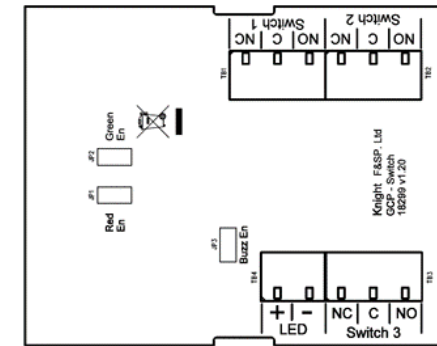
**CALL POINT REAR**

*NOTE: TRIPLE POLE VARIANT SHOWN*

	01/02/03	-G/-W/-Y/-B
<b>BCP</b>	Single Pole	Green
	Double Pole	White
	Triple Pole	Yellow
		Blue



**CALL POINT BACK BOX**



**PCB**



**KNIGHT**  
 FIRE & SECURITY

Unit 84 Seawall Road Ind. Estate  
 Cardiff UK CF24 5TH  
 Tel: +44 (0) 2920 488 129  
 Fax: +44(0) 2920 489 132

Drawing #: BCP0\*  
 Drawn: Gareth Carpenter  
 Date: 01/03/2022  
 Revision: 1

All dimensions in mm  
 Do not scale



© Knight Fire & Security Products Ltd  
 All cases of infringement will be pursued.