

The XC30 is a sealed flush pencil contact. It comes complete with resistors (see below) and is magnetically balanced to detect magnetic interference. Core selection enables the resistors required for your installation.

PART CODE	R. EOL	R. ALARM	!!! IMPORTANT NOTE !!!
XC301KR	1000 Ω	1000 Ω	<b>This product IS NOT suitable for installation in steel doors or in any other kind of ferromagnetic material.</b> Interference from these materials will cause unpredictable contact behaviour. As an absolute last resort, opening the fitting holes to 20mm and surrounding the parts with an insulating filler material may provide correct operation <u>but this is not guaranteed.</u>
XC302K2	2200 Ω	2200 Ω	
XC304K72K2	2200 Ω	4700 Ω	
XC304K7	4700 Ω	4700 Ω	
XC304K76K8	4700 Ω	6800 Ω	
XC308K2**	8200 Ω	8200 Ω	

\*\*Parallel resistor construction – see Guardall specific instructions below

## INSTALLATION

First, ensure the gap between the fitting surfaces does not exceed 5mm. Drill an 8mm diameter, 35mm deep hole in each mounting surface. Thread the contact wiring through the hole and any further conduit put in place. Wire as per instruction below and test operation. Once tested each half can be push-fit into the holes made, to sit flush with the surface.

Ensure that the faces of each half align properly. Magnets and contacts are numbered on the coloured sticker – use matching pairs when installing multiple contacts.

## WIRING

For all variants except 8K2, connect the following wires to the zone terminals depending on resistor preference. Where two wires are stated, they must be joined together and then wired to the terminal:

WIRING	ZN T1	ZN T2	TAMP	TAMP
NO RESISTORS	RED	YELLOW	BLACK	BLUE
ALARM RESISTOR	RED+WHITE	YELLOW	BLACK	BLUE
EOL RESISTOR	RED	GREEN	BLACK	BLUE
BOTH RESISTORS	RED+WHITE	GREEN	BLACK	BLUE

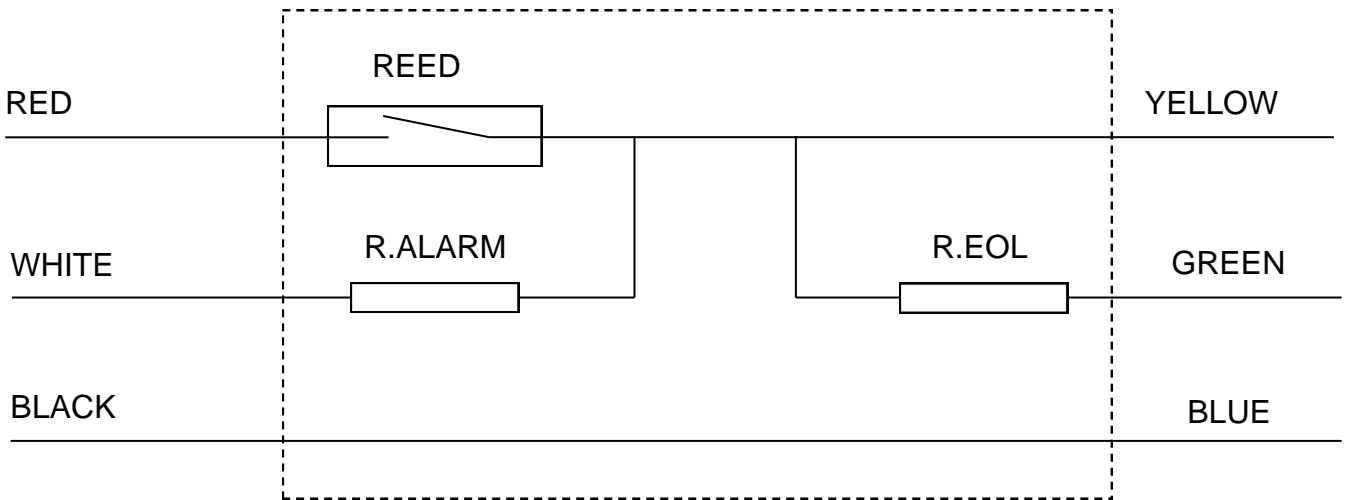
The Guardall 8K2 variant uses 8k2 resistors in parallel to give 4k1Ω secure and 8k2Ω alarm conditions. Wire according to the below:

WIRING (GUARDALL)	ZN T1	ZN T2	TAMP	TAMP
NO RESISTORS	RED	YELLOW	BLACK	BLUE
BOTH RESISTORS	WHITE+GREEN	RED	BLACK	BLUE

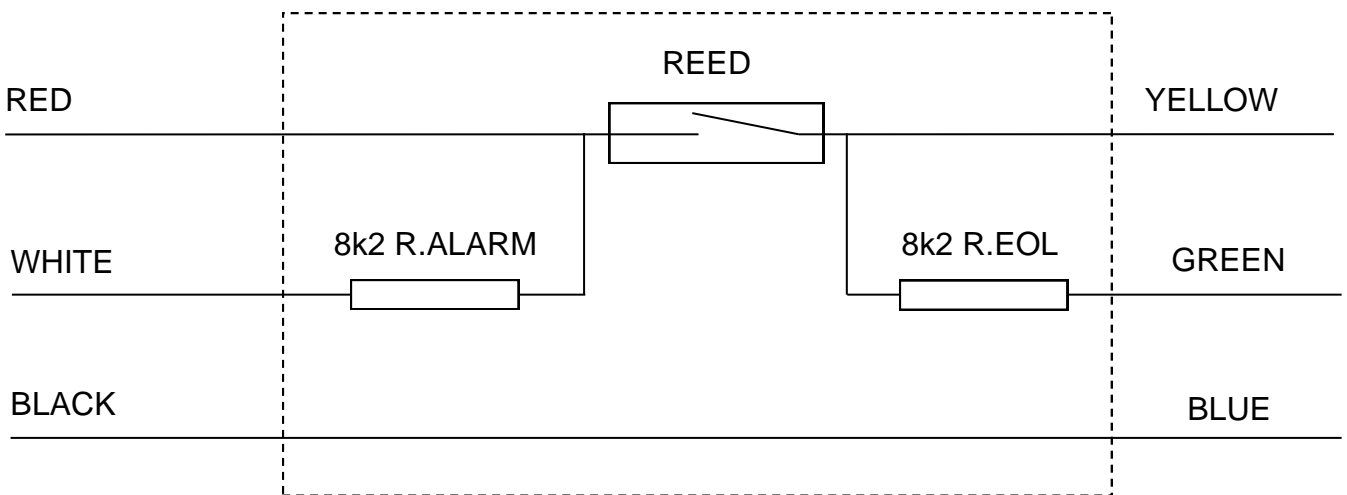
See overleaf for full diagrams of both contact variants:

# WIRING DIAGRAMS

## ALL VARIANTS EXCEPT 8K2



## GUARDALL 8K2 VARIANT



Operating Gap: ~5mm