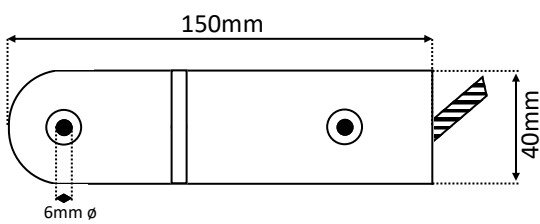
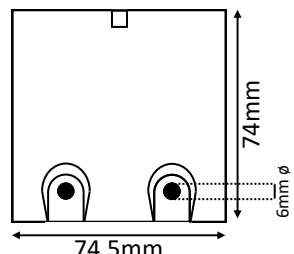
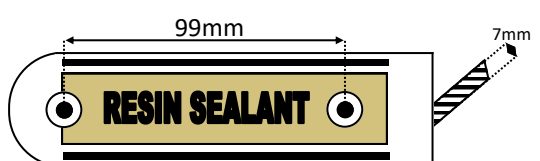
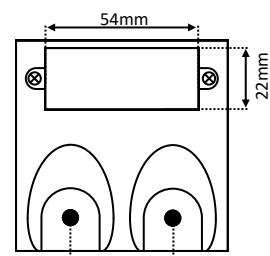
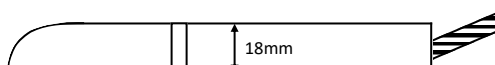
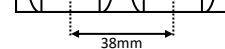
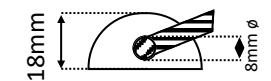
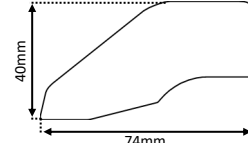




<p>TOP</p>	<p style="text-align: center;">CONTACT</p> 	<p>TOP</p>	<p style="text-align: center;">MAGNET</p> 	<p>DESCRIPTION</p> <p>Grade 3, Class III R/S contact 8 core armoured cable prefitted. 1m length, integral resistors. Single reed, normally closed. (Complete circuit when magnet present).</p>
<p>BOTTOM</p>		<p>BOTTOM</p>		<p>VARIANTS</p> <p>YF10CxM (where x is fly length in metres. E.g. YF10C2M)</p>
<p>LATERAL</p>		<p>LATERAL</p>		<p>ACTIVATION</p> <p>Reed switch, ~50mm operating gap.</p> <p>Magnetic tamper reed switches.</p>
<p>REAR END</p>		<p>LATERAL</p>		<p>WIRING</p> <p>Resistors must be used in circuit - no 4-wire option. Core selection defines resistors used.</p> <p>EOL Resistors: 1k, 2k2, 4k1, 4k7, 5k6. Alarm Resistors: 1k, 2k2, 4k1, 4k7, 5k6, 6k8.</p>
<p>PHOTO</p>		<p>LATERAL</p>		<p>MATERIALS</p> <p>Anodised AA15 aluminium casting. Ferrite/Alnico V magnet. Rhodium reed. Stainless steel armour sleeving.</p> <p>TEMPERATURE RANGE</p> <p>-40 to +50 degrees Celsius.</p> <p>ELECTRICALLY RATED AS FOLLOWS</p> <p>500mA Max DC. 500mA Max AC.</p> <p>1 – 100v DC. 125v AC Max.</p>



KNIGHT
FIRE & SECURITY

Unit 84 Seawall Road Ind. Estate
Cardiff UK CF24 5TH
Tel: +44 (0) 2920 488 129
Fax: +44(0) 2920 489 132

Drawing #: YF10C
Drawn: Gareth Carpenter
Date: 01/03/2022
Revision: 4

All dimensions in mm
Do not scale



© Knight Fire & Security Products Ltd
All cases of infringement will be pursued.