

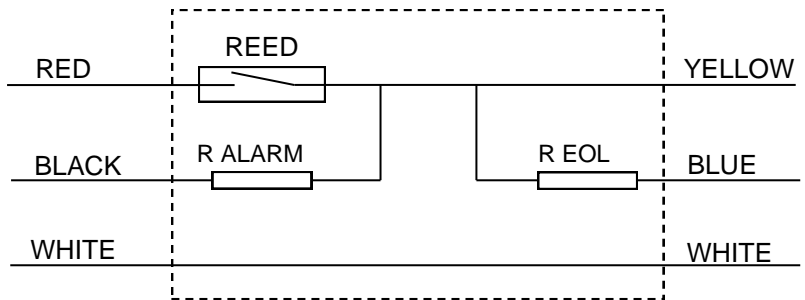
The PDF10 is a range of R/S contacts sealed against outside attack. Wire selection enables the resistors required for your installation. The operating gap is 50mm approx.

PART CODE	R EOL	R ALARM
PDF10*1KR	1000 Ω	1000 Ω
PDF10*4K72K2	2200 Ω	4700 Ω
PDF10*4K7	4700 Ω	4700 Ω
PDF10*4K76K8	4700 Ω	6800 Ω
PDF10*3K28K2	3200 Ω	8200 Ω

INSTALLATION

Fit the contact to the mounting surfaces using the holes provided. Ensure alignment is correct (see mounting diagram). Wire the contact to your requirements using the below table. Where two colours are given, they are intended to be joined together. Fit the tamper wires to a common tamper in the panel.

WIRING	CONN. 1	CONN. 2
No Resistors	RED	YELLOW
Alarm Only	RED/BLACK	YELLOW
EOL Only	RED	BLUE
Alarm + EOL	RED/BLACK	BLUE
Tamper	WHITE	WHITE



MOUNTING OPTIONS

