

The 8k2 variant of PDF10 is an angle contact specifically designed with Guardall style wiring & is sealed against outside attack. Wire selection enables the resistors required for your installation. The operating gap is 50mm approx.

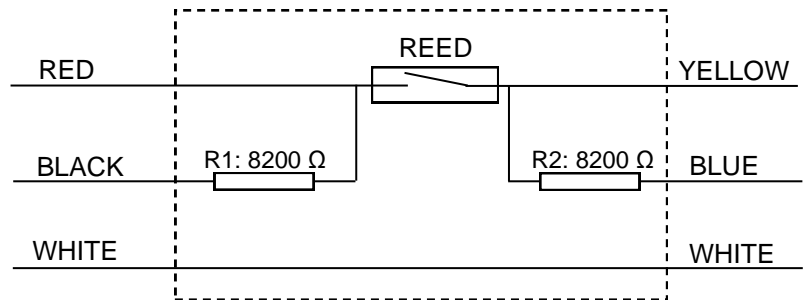
PART CODE	R1	R2
PDF10*8K2	8200 Ω	8200 Ω

Because of the specific Guardall wiring format (resistors in parallel), the unit will provide zone resistances of 4100Ω when secure and 8200Ω when open.

INSTALLATION

Fit the contact to the mounting surfaces using the holes provided. Ensure alignment is correct (see mounting diagram). Wire the contact to your requirements using the below table. Where two colours are given, they are intended to be joined together. Fit the tamper wires to a common tamper in the panel.

WIRING	CONN. 1	CONN. 2
No Resistors	RED	YELLOW
With Resistors	BLUE/BLACK	RED
Tamper	WHITE	WHITE



MOUNTING OPTIONS

