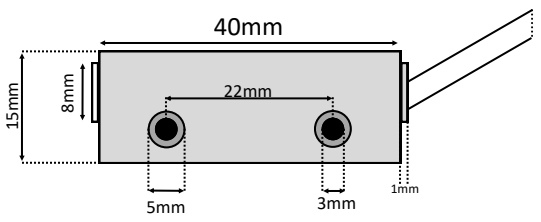
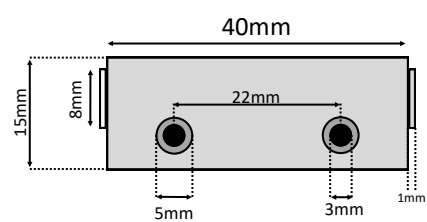
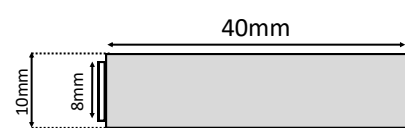
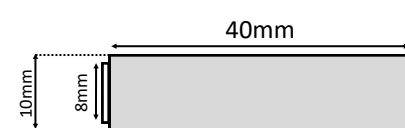
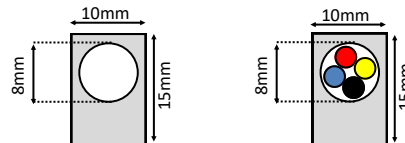
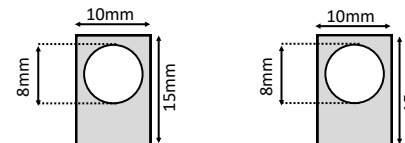

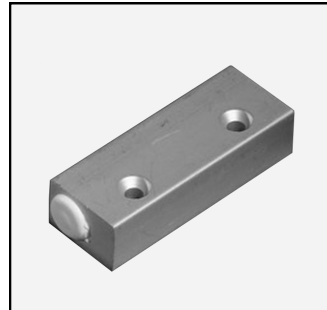


FRONT/ BACK	<p style="text-align: center;">CONTACT</p> 	<p style="text-align: center;">MAGNET</p> 	<p>DESCRIPTION</p> <p>Grade 2, Class III mini aluminium surface/patio contact. 1m 4 core cable prefitted. Single reed, normally closed. <i>(Complete circuit when magnet present).</i></p>
	<p style="text-align: center;">TOP/ BOTTOM</p> 	<p style="text-align: center;">MAGNET</p> 	<p>VARIANTS</p> <p>XE90A Grade 3 c/w resistors. PDE90A Grade 2 c/w resistors.</p> <p>ACTIVATION</p> <p>Reed switch, ~15mm operating gap.</p>
ENDS			<p>WIRING</p> <p>Red/Yellow REED Black/Blue TAMPER LOOP</p> <p>MATERIALS</p> <p>Anodised AA15 aluminium casting. Ferrite/Alnico V magnet. Rhodium reed.</p> <p>TEMPERATURE RANGE</p> <p>-40 to +50 degrees Celsius.</p> <p>ELECTRICALLY RATED AS FOLLOWS</p> <p>500mA Max DC. 500mA Max AC.</p> <p>1 – 100v DC. 125v AC Max.</p>
	<p style="text-align: center;">PHOTO</p> 		



KNIGHT
FIRE & SECURITY

Unit 84 Seawall Road Ind. Estate
Cardiff UK CF24 5TH
Tel: +44 (0) 2920 488 129
Fax: +44(0) 2920 489 132

Drawing #: E90A
Drawn: Gareth Carpenter
Date: 01/06/2022
Revision: 3

All dimensions in mm
Do not scale



© Knight Fire & Security Products Ltd
All cases of infringement will be pursued.