



[www.knightfireandsecurity.com](http://www.knightfireandsecurity.com)

**PART CODE:** YM101K  
**DESCRIPTION:** HEAVY DUTY SURF. CONTACT WITH 1K / 1K RESISTORS

**SECURITY GRADE:** 3  
**ENVIRONMENTAL CLASS:** II  
**STANDARDS MET:** EN50131-2-6:2008 <> PD6662:2017

The YM101K is a heavy duty surface contact with built in 1k/1k resistors. Terminal selection determines which resistors & tamper protections are used.

**Operation:**

The contact will operate with a gap of approximately 15mm between the magnet and reed. This distance will vary near magnetic surfaces (eg: steel).

**Installation:**

Remove the lids of both halves.

Remove the inner wedge of the contact half that contains the terminals to expose the fixing holes underneath.

Fix both open halves to the door/window – contact half on the frame and magnet half on the moving part.

Ensure good alignment of each half.

Thread wires through the open end of the contact half.

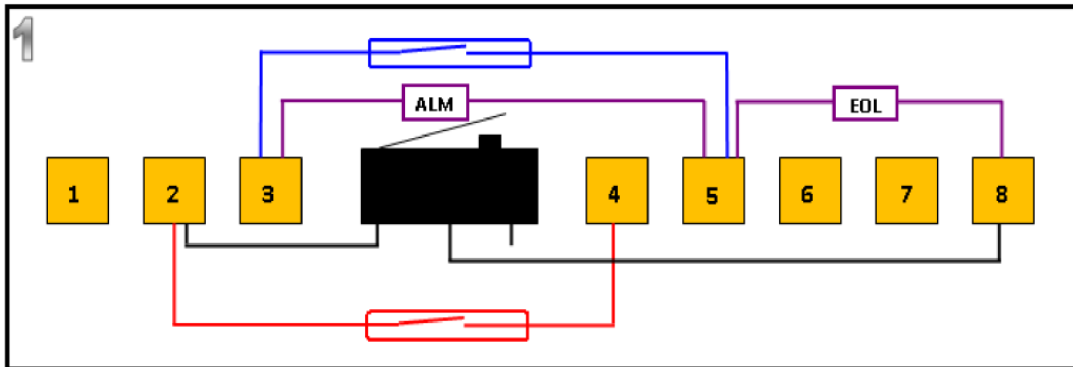
Wire to the terminal wedge as per wiring section below.

Insert the wedge back into the contact half – the side with the resistors should be closest to the magnet half.

Replace and fix both lids.

**Wiring:**

See below diagram showing the internal circuitry of the contact & available configurations:



**Grade 2, Lid Tamper, No Resistors (4 Wire):**

- Remove ALM resistor
- Wire Alarm to T3 & T5
- Wire Tamper to T2 & T8

**Grade 2, Lid Tamper, With Resistors (2 Wire):**

- Wire zone to T2 & T3

**Grade 3, Lid & Magnetic Tamper, With Resistors (2 Wire):**

- Wire zone to T3 & T4