

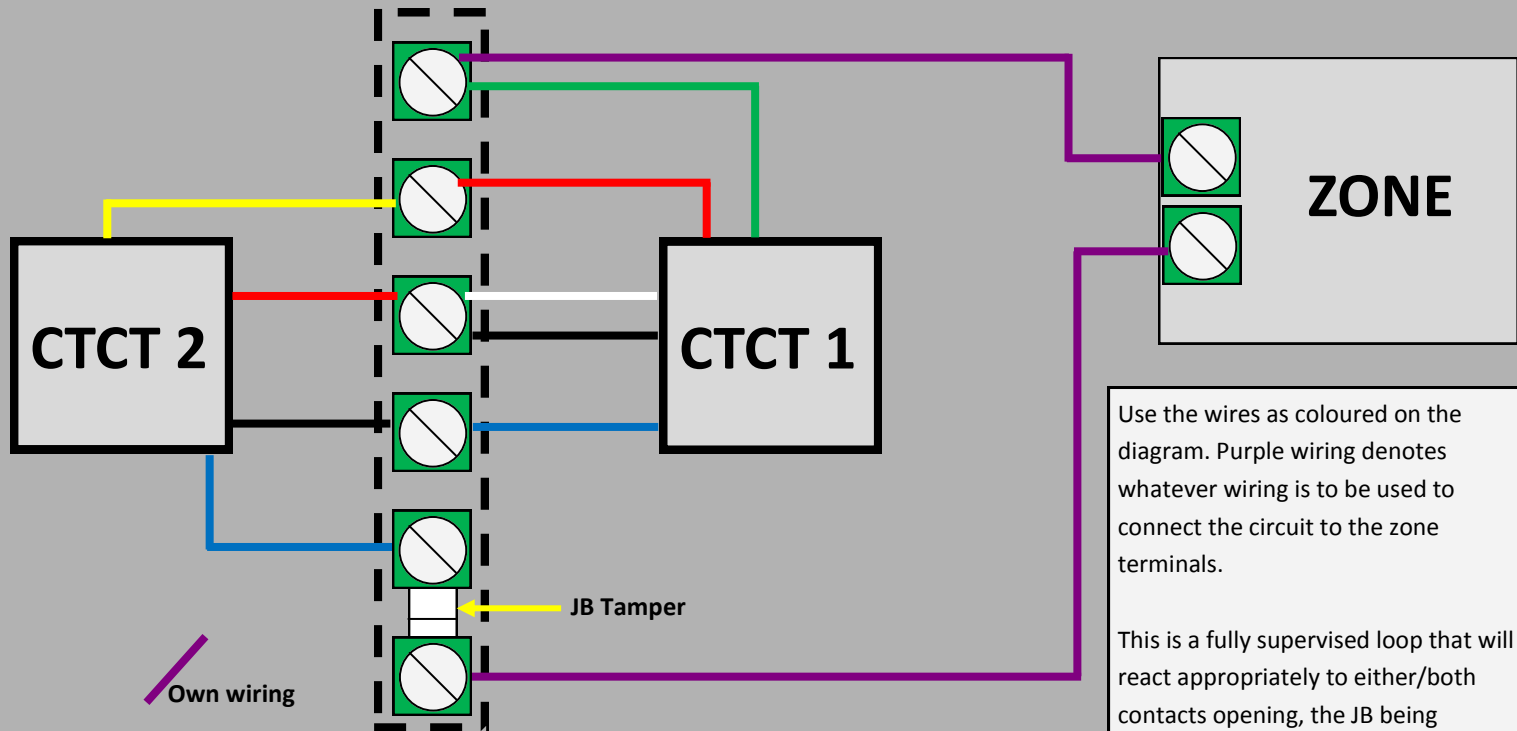
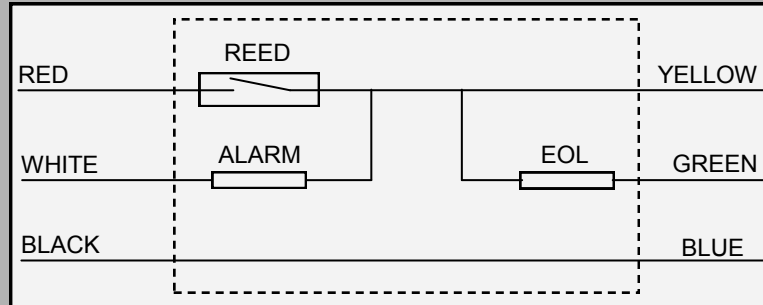
Wiring Knight 6-Core Contacts in Shared Zone Configuration



Knight restored 6-core contacts follow the same wiring pattern, regardless of whether they are G2, G3, Surface, Flush, H/D or any other combination. The internals of each contact are wired as so:

This style of wiring allows the installer to wire with or without the EOL resistor, alarm resistor and tamper loop.

It is possible for two of this style of contact to share a zone. See the diagram below, which connects the contacts together using a tampered 6 way junction box:



Use the wires as coloured on the diagram. Purple wiring denotes whatever wiring is to be used to connect the circuit to the zone terminals.

This is a fully supervised loop that will react appropriately to either/both contacts opening, the JB being opened or wiring being cut. See expected readouts to the right.

ACTION	CIRCUIT	PANEL
Doors closed, JB secure,	EOL resistance	Secure
CTCT1 open	EOL + Alarm	Active/Alarm
CTCT2 open	EOL + Alarm	Active/Alarm
CTCT1 +	EOL + Alarm	Active/Alarm
JB lid opened	>1MΩ	Tamper
Zone wire cut	>1MΩ	Tamper